



KEMP

www.kemp-bg.com



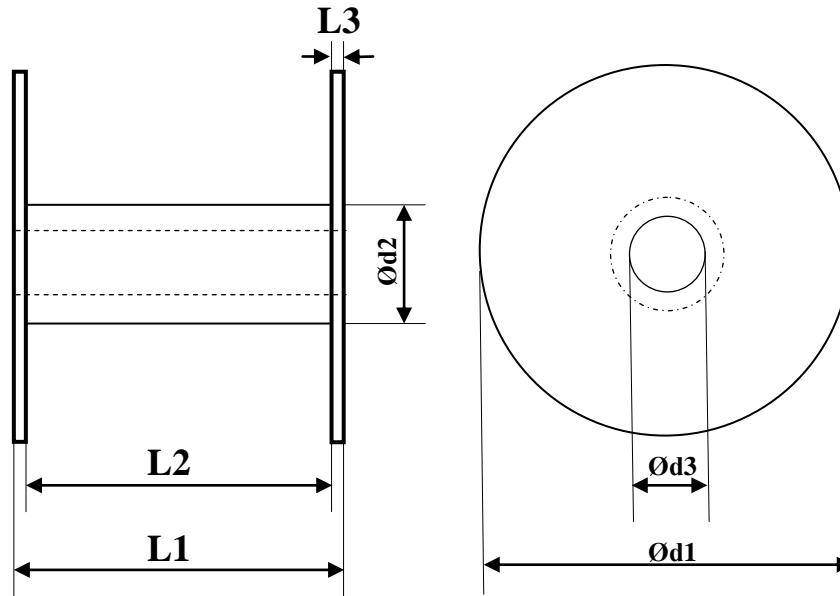
BG120415E, BG120415Q

KEMP AD
30, Nikola Petkov Str.
5400 – Sevlievo, Bulgaria
Tel/fax: 00359 0675 3 28 87
e-mail: kemp@nat.bg

Office:
8, Bacho Kiro Str.
Sofia 1000, Bulgaria
Tel. 00359 02 980 26 48, fax 00359 2 986 92 65
e-mail: p.bratoev@hika-bg.com

VAT Reg. BG107056159

Plywood drums



Type	Max. bright L1 (mm)	Working width L2 (mm)	Diameter site Ød1	Diameter core Ød2	Opening Ød3	Site thickness L3 (mm)	Max cable weight (kg)	Drum weight (kg)
L030	420	404	300	150	80	8	80	1.95
L033	420	404	330	150	80	8	80	2.10
L040	420	404	400	150	80	8	90	2.30
L050	420	404	500	150	80	8	100	8
L060	420	396	600	200	80	12	180	17
L075	420	396	755	312	80	14	200	25
L090	500	468	900	350	80	16	300	47
L100	600	555	1000	450	80	24	400	71
L120	600	555	1200	450	80	24	600	144